

CNC processing has never been easier

PRO-MASTER 7018

THE NEW



PRODUCTIVITY AND PRECISION



Economic, powerful, precise

The PRO-MASTER 7018 by HOLZ-HER makes the decision for the efficient CNC technology easier than ever before. Particularly regarding the manufacture of body parts, PRO-MASTER 7018 offers efficient processing and high flexibility.

- Unbeatable – the price/quality ratio.
- The finest technology – smoothed and hardened prism guides enable high level production precision even during long-term use.
- Practice-oriented equipment – welded machine frame for stability under heavy loads, extensively equipped processing head.
- Ergonomically excellent operation – e.g., simple positioning of the suction device, hand-held device, pneumatically liftable and lowerable feeding aids (option).





1

Precision through linear aids

- Highly accurate linear guides in reference quality enable easy movement of all axle [Fig. 1].
- Designed for the highest level of precision and a very long life.
- Dust-protected ball screw sliding blocks also ensure especially quiet running.

Consoles and vacuum suction devices – easy to operate

- The consoles run in the X direction on smoothed and hardened linear guides and are extremely easy to move.
- Measuring tapes in the X direction for fast and efficient positioning of the consoles.
- The consoles are clamped pneumatically, are easy to release, adjust and clamp.
- Two pipeless vacuum suction devices per console
- Easily readable scales on the rails for easy positioning of the suction device.
- Two stop fields – individually feedable: pneumatically lowerable stops fitted to the consoles (front or rear). Option: Second stop-row.



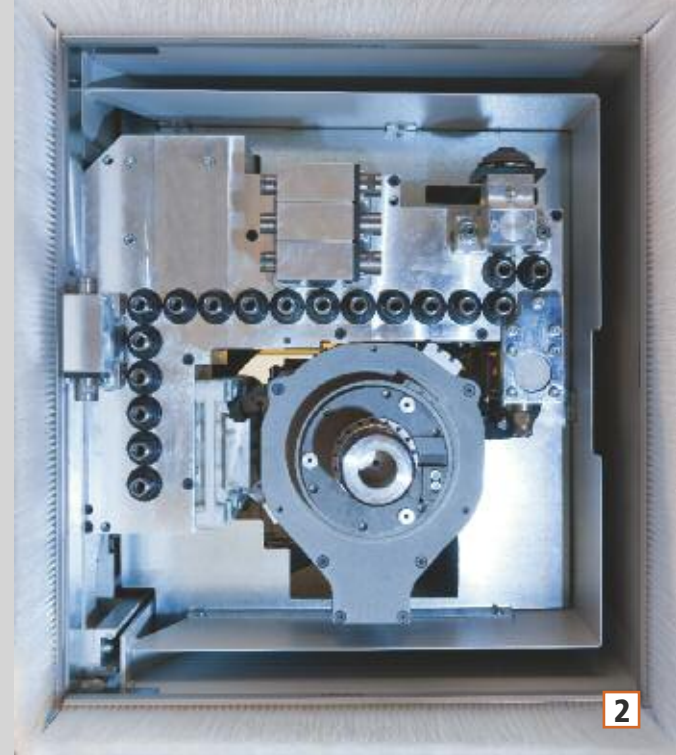
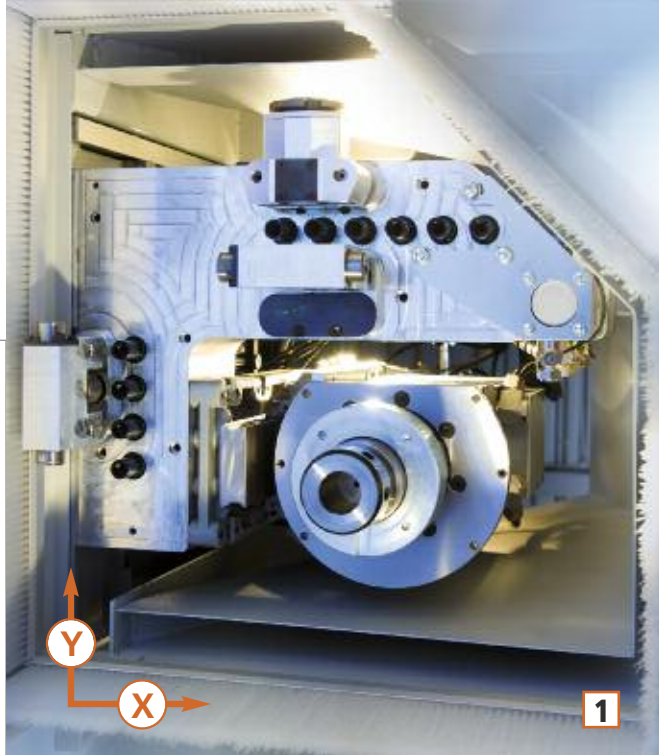
2

Now new: long consoles

1,250 mm between the stops in Y for:

- Milling
- All vertical drills [Fig. 2]





THE PROCESSING HEAD

Equipped for all purposes

- Air-cooled milling unit with a capacity of 11 kW, 1,000–24,000 min⁻¹ with collet seating HSK 63F; Bearing: ceramic hybrid bearings. Option: liquid cooling.
- Drill head in L shape, 2.2 kW capacity, 1,000–5,200 min⁻¹. Six vertical drills in the X direction, four drills in the Y direction; all spindles individually retrievable [Fig. 1]. Option: 18 vertical spindles, 3 horizontal double boring spindles [Fig. 2].
- Two horizontal drills in the X and Y direction.
- 2 double drill spindles horizontal in the X direction (option).
- Grooving saw in the X direction (option), max. saw blade diameter: 125 mm.
- Processing head can be moved quickly for high productivity X= 70 m/min. Y= 70 m/min, Z= 20 m/min.
- Exchange units with fixed adapters and two-phase milling unit can be used (option).
- Laserpointer for fast positioning of the consoles and suction pads [Fig. 3].



The control unit – Transparent and extremely comfortable

HOLZ-HER machine controls are an integrated element of the machine design. The equipment package includes the CAMPUS-Single package with integrated CabinetControl software. This package creates the conditions for effective processing and comfortable operation such as barcode interface, hand-held device, import facilities and much more.

CAMPUS – with integrated CabinetControl software

- CAMPUS aCADemy is a fully-fledged, high-performance CAD/CAM software with varied import possibilities.
- The NC-Hops-Editor as well as variable programming, offers 3-D views and simulations, a full Z axle interpolation and a text editor. "Easy Snaps", adjustable parameters and sophisticated macros simplify and also accelerate the program controls.
- The workcenter shows the allocation of the machine tables. Tools, drill heads and paths are automatically optimized with respect to all the workpieces and the processing times calculated.
- The tool administration MT-Manager enables graphically transparent fitting with "Drag & Drop".
- Open software architecture enables uncomplicated integration of available data and the connection to various branches, design and CAD/CAM software.

CabinetControl – software for simple creation of body fittings

- Organization of body fittings.
- Views presentable in 2-D and 3-D.
- Quick adaptation to the individual wishes of whomever purchases the equipment.
- Perfect presentation of the fittings.
- Automatic creation of cutting plans.
- Automatically creates the CNC processing program at the press of a button.



Large 17" screen for easy operation

HPHDE – network-compatible software for all HOLZ-HER machines

All HOLZ-HER machines are network-compatible with one another. The digital workflow between the CabinetControl software, the saws, the edge-banding machines, the CNC production centres and the HHPDE software (HOLZ-HER process data acquisition) enables efficient production. HHPDE offers:

- The production of all operating data
- The chronological and calculatory planning of orders
- The exact evaluation of order-related production data

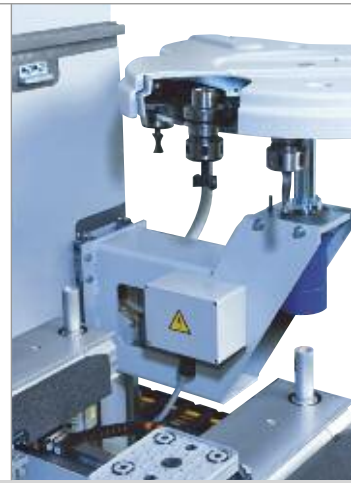
HPHDE is therefore the basis for an efficient calculation.



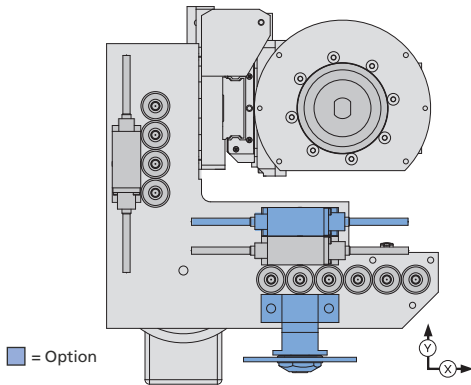


Reliability through central lubrication

Lubrication takes place via a central lubrication system. This supports the high precision of the travel directions and promises long life of the components. Manual or automatic central lubrication (both optional) also minimizes maintenance costs (illustration on the left shows manual lubrication).

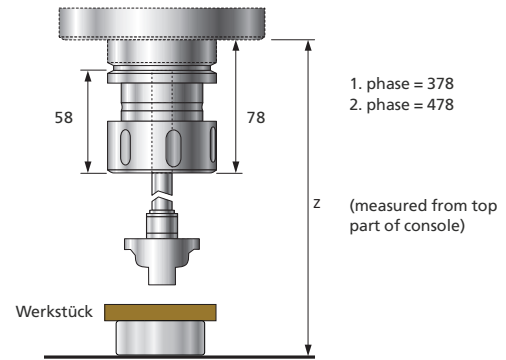


Processing head



- The dimensions of the Y axle in combination with the compact processing head enable long working ranges. Large workpieces can be placed very easily.

Z Axle

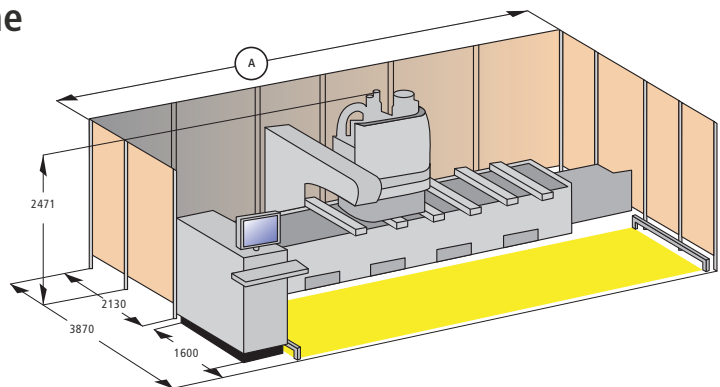


- The 2-phase Z working range (standard) with its maximum moving possibility easily handles the processing with high tools or an angle aggregate even with thick workpieces.

Control box, left side of machine

Dimensions (mm)	A
PRO-MASTER 7018 K 250	5438
PRO-MASTER 7018 K 320	6138

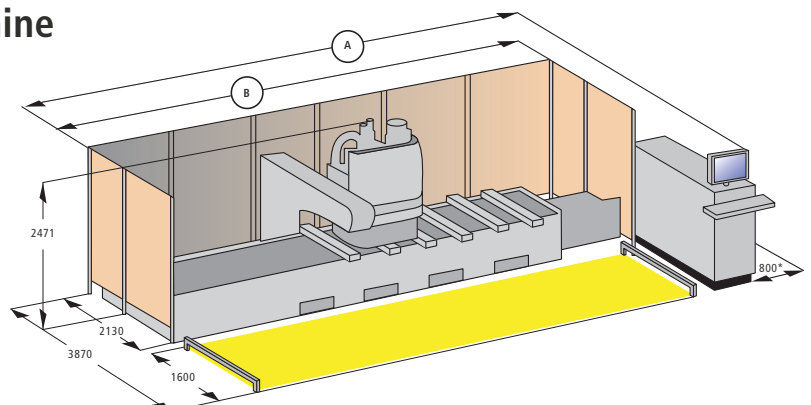
■ = Light barrier field



Control box, right side of machine

Dimensions (mm)	A
PRO-MASTER 7018 K 250	5864
PRO-MASTER 7018 K 320	6564

■ = Light barrier field
* = Door opened





Short rest periods

The tool changer travelling on the drive stand [Fig. 1] with 8, 12 or 18 tool places supplies the main spindle in a few seconds for high productivity (option).

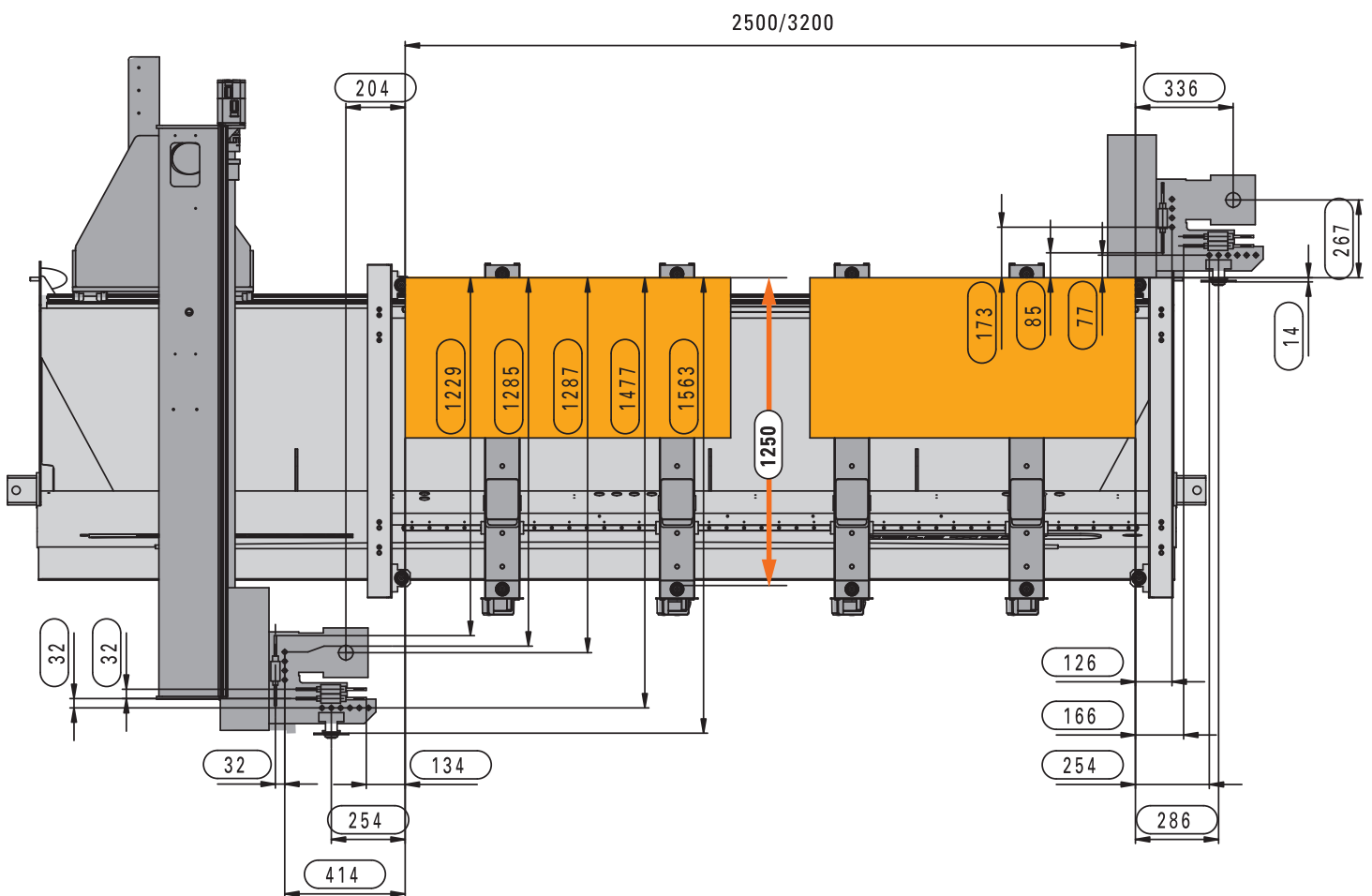
1



Pick-up-Tool Changer

Pick-up tool changer with 12 places (option) [Fig. 2].

2



Safety and productivity

- The integrated light grid guarantees safety with all work processes.
- 1-field shut-off mat (option).
- One 3-field safety shut-off mat (option) for increasing performance by way of pendulum processing for high-level economy.

All product brochures available
for downloading from
www.holzher.com

Technical specifications

	PRO-MASTER 7018
Machine dimensions	
Weight (kg)	4300
Drives, basic machine	
Max. traverse speed X axle (m/min)	70
Max. traverse speed Y axle (m/min)	70
Max. traverse speed Z axle (m/min)	20
Engine capacity, type 7831 (kW) (S6) (air cooled) (option)	11
Speed of milling unit, type 7831 (min ⁻¹)	1000–24000
Engine capacity of milling unit, type 7832 (kW) (S6) (air cooled) (2-phase) (option)	11
Speed of milling unit, type 7832 (min ⁻¹)	1000–24000
Engine capacity, drilling spindle, type 7979 (kW)	2.2
Speed of drilling spindle, type 7979 (min ⁻¹)	1000–5200
Electronics	
Supply voltage (Volt)	3 x 400
Network frequency (Hz)	50/60
Capacity (depending on components) (kW)	18–21
Compressed air	
Operating pressure (bar)	6
Permissible limit pressure (bar)	8
Compressed air requirement (l/min)	300
Suction	
Suction capacity (m ³ /h)	5300
Static negative pressure (Pa)	2500–3000
Connecting piece \varnothing (mm)	200
Suction speed on the connection piece (m/sec)	30
Vacuum pumps in the working area	
Vacuum pump (m ³ /h)	100
Vacuum pump (m ³ /h) (Option)	140

The technical specifications are intended as a guide. We reserve the right to make alterations as our HOLZ-HER machines are undergoing constant development. The illustrations are therefore also of a non-binding nature. Some of the machines illustrated have special fittings that are not delivered as standard. For information purposes, some machines are illustrated without their protective covers.

UK – HOLZ-HER 3006 20 – Printed in Germany/Imprimé en Allemagne
Printed: 22.10.2010 – first version: 22.10.2010

Your approved HOLZ-HER dealer



HOLZ-HER GmbH
D-72608 Nürtingen

Tel.: +49 (0) 70 22 702-0
Fax: +49 (0) 70 22 702-101
www.holzher.com